

ZKW Automotive Engineering CZ s.r.o.

<http://www.zkw-group.com/cz/>



BRIGHT MINDS,
BRIGHT LIGHTS.



David Pala

Managing Director

david.pala@zkw-group.com



Milan Křížák

Regulatory & Type Approval Affairs, COC rep.

milan.krizak@zkw-group.com

Introduction

- The ZKW company was est. 1938. Since 2018 is a member of the LG Group.
- Czech Republic site est. 2021, full product development capability, >70 employees.
- ZKW's pioneering premium lighting and electronics systems for all mobility concepts in the global automotive industry.



ZKW Automotive Engineering CZ s.r.o.

<http://www.zkw-group.com/cz/>

Milan Křížák

Regulatory & Type Approval Affairs, COC rep.

milan.krizak@zkw-group.com



BRIGHT MINDS,
BRIGHT LIGHTS.

[We offer

1. Automotive exterior lighting expertise
2. Synergies, to promote the importance of the field of automotive optics, especially but not only in the North Moravian region, and to direct and encourage young people to study related fields of expertise
3. Practical approach for digital company

[We are looking for

1. R&D cooperation - Partners helping us discover and implement new unique efficient, attractive or low-cost exterior lighting solutions of our products
2. Universities cooperation
3. Laboratories for testing purposes

ZKW Automotive Engineering CZ s.r.o.



BRIGHT MINDS,
BRIGHT LIGHTS.

Products | premium quality for greater road safety



BMW 7er



Porsche Taycan



Audi Q8

ZKW Automotive Engineering CZ s.r.o.



BRIGHT MINDS,
BRIGHT LIGHTS.

Products | premium quality for greater road safety



Volvo Trucks FH



BMW Motorrad K50

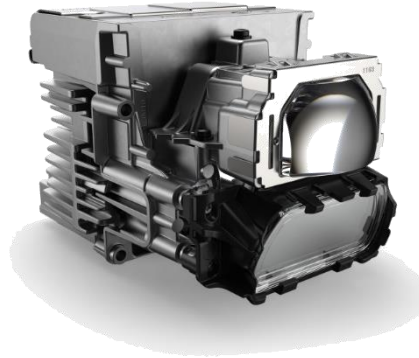


Mercedes-Benz S-Class Coupe

Products | premium quality for greater road safety



Auxiliary lamps



Modules



ECUs